

3 Ports 1310/1490/1550nm Filter Wavelength Division Multiplexer

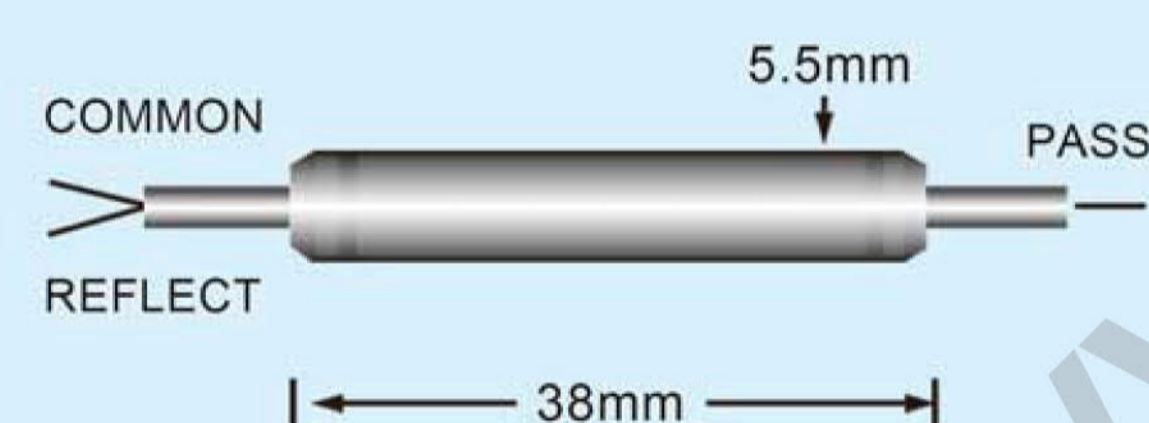
Features

- Wide operating wavelength range
- Low insertion loss
- Ultra flat wide passband
- High channel isolation
- High stability and reliability
- Epoxy free on optical path

Applications

- Testing instrument
- FTTH tri-play system

Package Dimension



Performance Specifications

Parameter	FWDM4/35	FWDM5/34	FWDM34/5
Pass Band Wavelength Range (nm)	1480~1500	1540~1560	1260~1360 & 1480~1500
Reflection Band 1 Wavelength Range (nm)	1260~1360	1260~1360	1540~1560
Reflection Band 2 Wavelength Range (nm)	1540~1560	1480~1500	
Insertion Loss (dB)	Pass Channel	≤0.6	
	Reflect Channel	≤0.4	
Isolation (dB)	Pass Channel	≥30	
	Reflect Channel	≥15	
Insertion Loss Temperature Sensitivity (dB)	≤0.3		
Polarization Dependent Loss (dB)	≤0.1		
Polarization Mode Dispersion (ps)	≤0.1		
Directivity (dB)	≥50		
Return Loss (dB)	≥45		
Maximum Power Handling (mW)	300		
Operating Temperature (°C)	-10~+70		
Storage Temperature (°C)	-40~+85		
Package Dimension (mm)	For 250μm, 900μm	Ø5.5 x L38	
	For 2.0mm, 3.0mm	L90 x W20 x H10	

Above specifications are for devices without connector. Specifications may change without notice.

Ordering Information

FWDM	<input type="checkbox"/> <input type="checkbox"/> <input type="checkbox"/>	<input type="checkbox"/>	<input type="checkbox"/>	<input type="checkbox"/>	<input type="checkbox"/>
	Wavelength	Package	Fiber Diameter	Fiber Length	Connector
	4/35=1490 pass/1310 & 1550 reflect 5/34=1550 pass/1310 & 1490 reflect 34/5=1310 & 1490 pass/1550 reflect	1=Steel Tube 2=ABS Box Module 3=Specify	0=250μm 1=900μm 2=2.0mm 3=3.0mm	1=1m 2=2m S=Specify	0=None 1=FC/APC 2=FC/UPC 3=SC/APC 4=SC/UPC 5=LC/APC 6=LC/UPC 7=ST S=Specify